

TROUBLESHOOTING GUIDE

The following checks will assist in the correction of problems which you may encounter with your set. Before going through the check list below, first check the following points. **The power cord must be connected firmly.** Should any problem persist after you have made these checks, please consult your nearest dealer

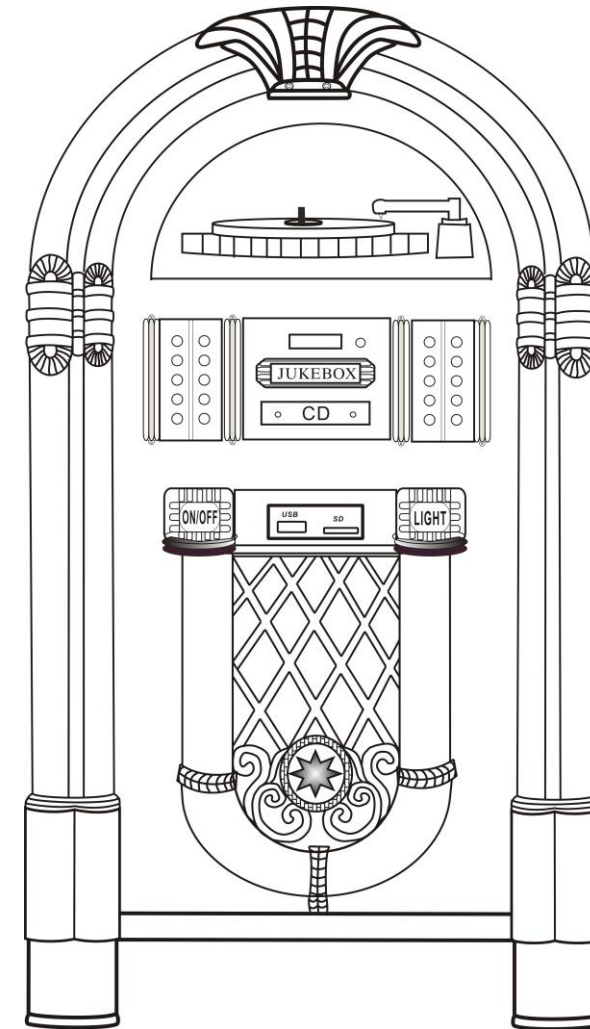
❖ Please keep this manual for future reference.

Symptom	Possible Causes and Remedies
RADIO RECEPTION	
<i>No radio FM or DAB reception</i>	The "MODE" selector has not been set to the correct position. Adjust the volume button "VOL+" . Press the "AUTO-TUNING" button to find a radio station. Adjust the rear cover to enhance the azimuth angle of the antenna.
CD PLAYER OPERATION	
<i>Disc does not play or sound skips</i>	Reload the disc with the label side up.
	Clean the disc.
<i>Sound skips</i>	Change the disc's position. Press the "RESET" button.
<i>Unit is not working</i>	Press the "STOP" button and then program the tracks.
GENERAL	
<i>Programmed disc does not play</i>	The AC power cord is not connected to an AC wall outlet. Check that the power cord is connected firmly. Push the power button from the "OFF" position to the "ON" position.
<i>No sound output</i>	Adjust the volume button "VOL+" . Press the Reset button "ON/OFF" .
<i>Severe hum or noise</i>	The TV or VCR is too close to the stereo system. Separate from the TV or VCR.
<i>Display illegible, non-functional.</i>	Turn off the power to restart.

NOXON Jukebox 1

CLOCK/CDMP3/USB/SD/FM/DAB/BT

INSTRUCTION MANUAL



NOXON Jukebox 1

Manufacturer:
Palotec AG
Frikartstrasse 3, CH-4800 Zofingen
info@noxonradio.ch, www.noxonradio.ch



SAFETY INSTRUCTIONS

WARNING: TO PREVENT FIRE OR SHOCK HAZARD, DO NOT EXPOSE THIS APPLIANCE TO RAIN OR MOISTURE.

 <p>The lightning flash with arrowhead within a triangle is a warning sign alerting you of "dangerous voltage" inside the product.</p>	<p>CAUTION</p> <p>RISK OF ELECTRIC SHOCK</p> <p>DO NOT OPEN</p> <p>CAUTION: TO REDUCE THE RISK OF ELECTRIC SHOCK DO NOT REMOVE COVER (OR BACK). NO USER SERVICEABLE PARTS INSIDE. REFER SERVICING TO QUALIFIED SERVICE PERSONNEL.</p>	 <p>The exclamation point within a triangle is a warning sign alerting you of important instructions accompanying the product.</p>
---	--	--

IMPORTANT SAFETY INSTRUCTIONS

1. Read instructions - All safety and operating instructions should be read before operating the appliance
2. Retain instructions - The safety and operating instructions should be retained for future reference.
3. Heed Warnings - All warnings on the appliance and in the operating instructions should be adhered to.
4. Follow instructions - All operation and use instructions should be followed.
5. Water and Moisture - The appliance should neither be used near water, e.g. near a bathtub, kitchen sink, nor in a wet basement, or near a swimming pool.



WARNING: Keep batteries out of reach of children. Swallowing may lead to serious injury or death in as little as 2 hours due to internal burns. If swallowed, go straight to a hospital emergency room. Dispose of used batteries immediately.

Playable File Requirements

MP3/WMA Music File

MP3/WMA file compatibility with this unit is limited as follows:

- Frequency: within 32 to 48 kHz.
- Bit rate: within 32 to 320 kbps (MP3), 40 to 192kbs (WMA).
- Maximum files: less than 999.
- Maximum folders: less than 99.
- File extensions: . mp3 or .wma.

Unit Specifications

FREQUENCY RANGE: FM 87.5 – 108MHz

DAB 174.928--239.200 MHz

MAIN INPUT VOLTAGE: 100-240V~ 50/60Hz 1.8A

OUTPUT VOLTAGE: DC 13V 5A

POWER CONSUMPTION: 65W

Power amplifier channel type: 2.0 channel

Output Power: 20W+20W

REMOTE CONTROL BATTERY: CR2025 3V Lithium Battery

DIMENSIONS: 105 x 57 x 31 cm

NET WEIGHT: 21kg (approx.)

Note: This product is installed with a power failure memory. If the previous settings need to be cleared, the memory and settings should be cleared from the MENU "Factory Reset".

Power Saving Mode:

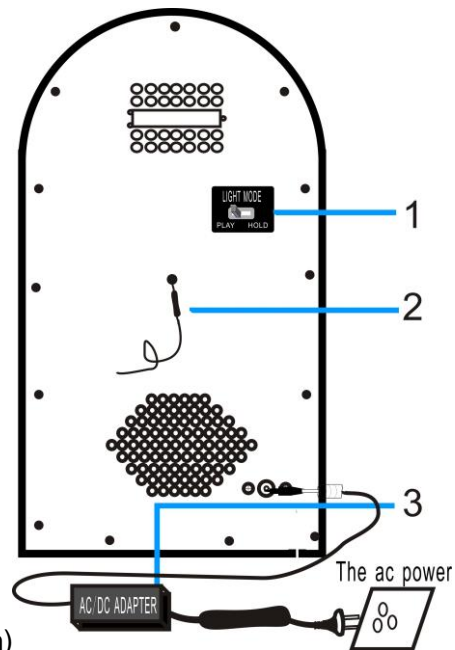
1. If a track is over (except radio and DAB) and no additional music is played for 15 minutes, the Jukebox will automatically enter into power saving mode (ERP 2).
2. If the Jukebox is turned on and no music is played, it will automatically enter into power saving mode after 15 minutes (ERP 2).

VERSION NO.: 1.0

ISSUE DATE: September 23, 2020

- THE OPERATING INSTRUCTIONS REFLECT THE CURRENT TECHNICAL SPECIFICATIONS AT TIME THEY ARE PRINTED:
- WE RESERVE THE RIGHT TO CHANGE THESE SPECIFICATIONS AND MAKE TECHNICAL MODIFICATIONS WITHOUT PRIOR NOTICE.

FEATURES ON THE BACK OF THE PRODUCT



- 1 Light mode (color flash)
- 2 Main FM antenna
- 3 Power adapter

POWER SUPPLY: AC/DC ADAPTER

INPUT- AC 100V-240V ~ 50/ 60 HZ



OUTPUT- DC 13V  5A

It is prohibited to unplug the power adapter while operating.



Wet hand operation is prohibited

1. The appliance should always be used or stored on a flat, stable surface indoors.
2. Ventilation - The appliance should be situated so that its location or position does not interfere with its proper ventilation. For example, the appliance should not be situated on a bed, sofa, rug, or similar surface that may block the ventilation openings or placed in a built-in installation, such as a bookcase or cabinet that may impede the flow of air through the ventilation openings.
3. Heat - The appliance should be situated away from heat sources such as radiators, heat registers, stoves or other appliances (including amplifiers) that produce heat.
4. Power Sources - The United States is 120 vac-60Hz; Japan is 100 vac-60Hz.
5. Power-Cord Protection - Power supply cords should be routed so that they are not likely to be walked on or pinched by items placed upon or against them. Select the appropriate power transformer according to your local power supply.
6. Power cords should be regularly inspected and if any damage is discernible, stop using it and consult a qualified electrical technician.
7. This item is fitted with a 3amp fuse only.
8. Cleaning - The appliance should be cleaned only as recommended by the Manufacturer.
9. Non-use Periods - The power cord of the appliance should be unplugged from the outlet when left unused for a long period of time.
10. Object and Liquid Entry - Care should be taken so that objects do not fall and liquids are not spilled into the enclosure through openings. Switch off immediately at power source if the item comes into contact with liquids and refer to a qualified electrical technician.
11. Refer to a suitable qualified technician if the appliance is damaged, needs servicing or has been dropped.
12. Servicing - The user should not attempt to service the appliance beyond general cleaning and changing of stylus.
13. This appliance / product is not intended for use by persons (including children) with reduced physical, sensory or mental capabilities, or lack of experience and knowledge, unless they have been given supervision or instruction concerning the use of the appliance by a person responsible for their safety. Children should be supervised so that they do not play with the appliance.

SETTING THE CORRECT TIME

- A. Connect the power adapter to the main machine and make sure the power adapter AC end is plugged into the main socket.
- B. Press the **“ON/OFF”** (Main Power) button to turn the Jukebox on. The unit will automatically enter standby mode and the time “00:00” or “12:00” will appear on the LCD display.

SETTING THE TIME:

To set the time, press the **“PROG”** button on the control panel or remote control (No. 22 on the Control panel diagram or No. 6 on the remote-control diagram) and hold it for 3 -5 seconds, until “12-H” is displayed on the screen).

Then press “▶▶|” or “|◀◀” to choose 12- or 24-hour format. If you opt for the 12-H format, press the **“PROG”** button again when “12-H” is displayed. The display will revert to “12:00” with the “12” flashing.

Use the “▶▶|” and/or “|◀◀” buttons on the control panel or the “|◀◀” and/or “▶▶|” buttons on the remote control (No. 3 and 6 on the control panel diagram or remote control diagram) to select the correct hour (keep in mind it will be set to 12 hour time).

Then press the “PROG” button to confirm. The second “00” will now be flashing. Use the “▶▶|” and/or “|◀◀” buttons on the control panel or the remote control to select the correct minutes, then press the “PROG” button to save.

Note: The time will only be saved when the Jukebox is working or in standby mode. If you wish to save the set time, do not press the **“POWER”** button (No. 24 on the control panel diagram). To turn the unit off, simply press the **“STANDBY”** button (No. 2 on the control panel diagram) to set the Jukebox to standby. If the **“POWER”** button is used to turn the Jukebox off, the time setting will be deleted, and the above process will need to be repeated in order to reset the correct time the next time it is turned on. There is no difference between the 12- and 24-hour format setting method.

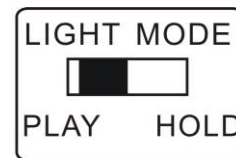
TURNING ON THE LIGHTING EFFECTS

The Jukebox features 2 color changing LED light tubes. There are also several other multicolored LED lighting effects that are featured in the CD player and USB/SD compartment and at the bottom of the speaker panel.

To turn on the LED lighting effects, simply press the **“LIGHT”** button on the USB control panel. All the LED lighting effects will illuminate.

NOTE: The lighting effects operate independently of the **“POWER”** button. The **“LIGHT”** button separately controls the power to the lighting effects on the back of the Jukebox.

LIGHT OPERATION:

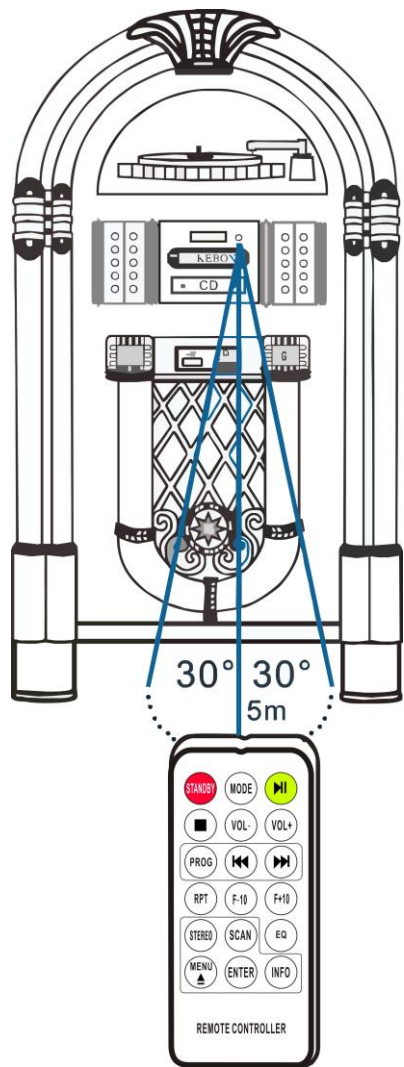


- a. **PLAY:** The light color cycle changes.
- b. **HOLD:** Light color is set to a certain color.

On the rear of the Jukebox, there is an LED Light Mode Switch. The Color Changing LED Light tubes will fade in and out of several different colors continuously. When set to **“HOLD”** mode, the LED light tubes will be illuminated in only one color. By switching to **“PLAY”** mode, the LED light tube will begin to cycle through the colors. By switching back to **“HOLD”**, different colors can be selected to display and hold (please note that these colors have been predetermined and may not be the exact same color as the light tube was illuminated when switched to **“HOLD”** mode).

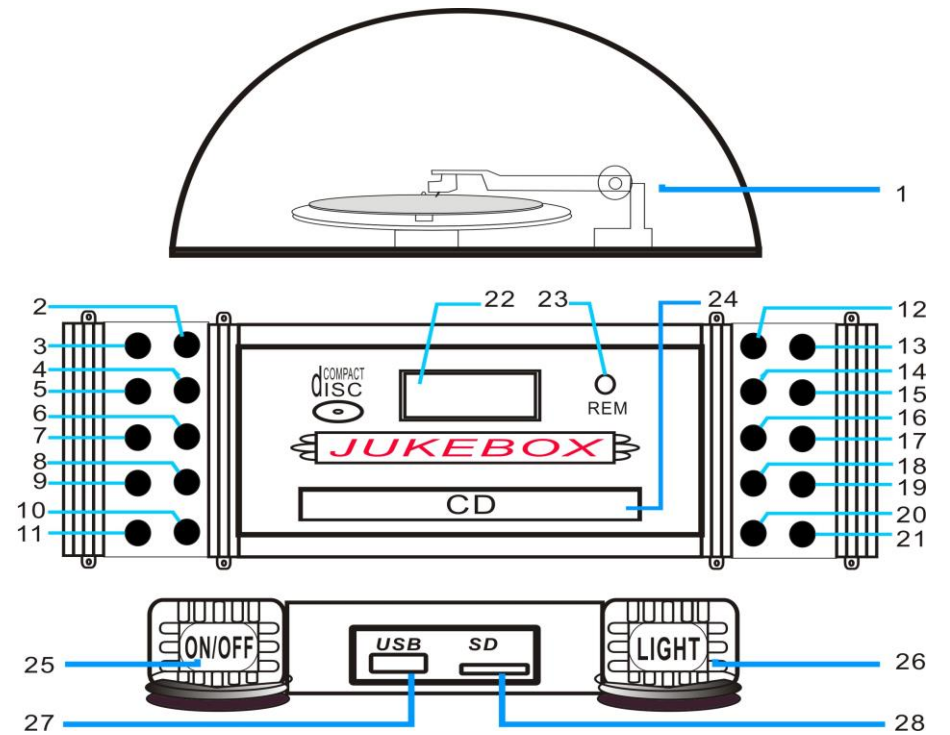
To completely turn off the lighting effects, simply press the **“LIGHT”** button once again.

Note: It is possible that no light is visible when in **“HOLD”** mode. Please adjust the switch.



Note: The best transmission distance of the remote control is within 5 meters of the Jukebox and without any barriers (angle plus or minus 30°).

FUNCTIONS OF THE JUKEBOX



- | | | |
|----------------------------------|------------------------------|---------------------------------------|
| 1 Vinyl turntable player | 10 VOL+(Increase the volume) | 20 OPEN/CLOSE (CD door) |
| 2 MODE (select mode) | 11 VOL-(Reduce the volume) | 21 RAN (Random) |
| 3 STANDBY (Audio On/Off) | 12 MENU | 22 Display |
| 4 ■ (STOP) | 13 SCAN | 23 Remote control receiving window |
| 5 ► (PLAY/PAUSE) | 14 ENTER | 24 CD door |
| 6 ►► (NEXT/Fast forward) | 15 INFO | 25 ON/OFF(Control panel power switch) |
| 7 I◄◄ (BACK/Fast rewind) | 16 EQ(Voice patterns) | 26 LIGHT (LED light power switch) |
| 8 F+10 (forwards 10 tracks) | 17 STEREO(Stereo switch) | 27 USB input socket |
| 9 F-10 (back 10 previous tracks) | 18 RPT(Repeats) | 28 SD input socket |
| | 19 PROG(programming) | |

FM RADIO OPERATION

This Jukebox features an inbuilt FM Tuner with auto-search function and a 40-station programmable memory. When using for the first time, press the "POWER" button and the Jukebox will switch to standby mode. Press the "ON/OFF" button on the control panel or the "POWER" button on the remote control to turn the Jukebox on.

FREQUENCY RANGE: FM 87.5--108 MHZ

1. Press the "ON/OFF" (Main Power) button to turn the Jukebox on. The unit will automatically enter standby mode. The clock reads 00:00 or 12:00.
2. Press the "STANDBY" button (No. 2 on the Jukebox parts list or No. 2 on the remote-control function list) to wake the Jukebox from standby mode. The unit will automatically enter the DAB Radio mode.
3. Press "MODE" and the LED display will show "Switching to FM". It will automatically search for nearby FM Radio signals and the speakers will emit a fuzzy sound (unless the frequency 87.5MHz contains a radio station in your area).
4. Press the "MENU" button
 - a. Press once to show "Scan Settings" and press "ENTER" to confirm. Then press "◀◀" or "▶▶" to select "All stations" or "Strong Only", press "ENTER" to confirm.
 - b. Press twice to display "SW Version". Press "ENTER" to confirm and see the Version number (such as "JSY 6136-DAB").
 - c. Press three times to display the language settings, press "ENTER" to confirm and then press "◀◀" or "▶▶" to select "English/German/French/Italian", Press "ENTER" to confirm.
 - d. Press four times to display Factory Reset, press "◀◀" or "▶▶" to select "NO" or "YES" and press "ENTER" to confirm.
5. To turn off the radio, press the "STANDBY" button or switch to other audio playing mode by pressing the "MODE" button.
6. Auto-tuning
 - Option 1 - Press "SCAN" to auto-search and save. Press the "AUTO" button to perform an auto-search from 87.5MHz upwards. The first 40 stations found will be stored in memory (labelled as P01 to P40).
 - Option 2 - Auto Search Only: Press "▶▶I" or "I◀◀" for about 3 seconds to search up or down the FM frequency to find a station with strong reception. This auto-search function will NOT save the stations found automatically and it will NOT continue to search past the first radio station found.
7. Press "▶▶I" or "I◀◀" repeatedly. The FM tuner will search up or down the FM band by 0.05Mhz increments for each press.

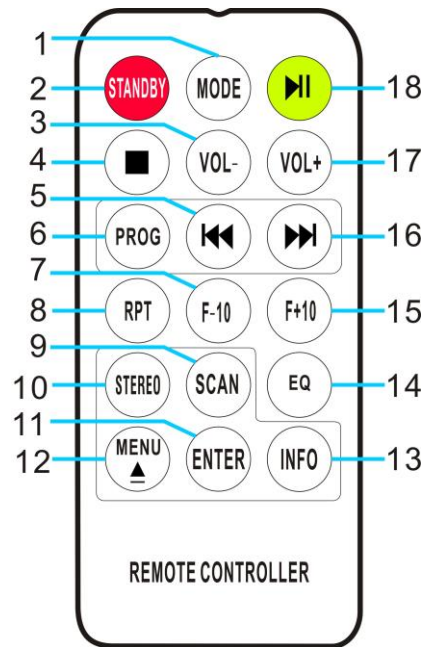
Note: (Refers to FM and DAB)

- 1) The American version of "FM" frequency, forward or backward, jumps 0.1 MHz.
- 2) The European version of the "FM frequency, forward or backward, jumps 0.05 MHz.
- 3) Use the FM antenna on the back of the Jukebox.
- 4) Stations with a weak signal can only be tuned in manually.
- 5) A maximum of 40 stations can be stored. Only stations with strong signals will be saved automatically.

REMOTE CONTROL FUNCTIONS

1. **MODE:** Press to switch between the different modes: DAB, FM tuner, CD player, USB input, SD input, AUX and phonograph.
2. **STANDBY:** Audio on/off.
3. **VOL -:** reduce volume, press the button repeatedly or press once and hold down until you reach the desired volume level.
4. **STOP:** press to stop a track.
5. **I◀◀:** back: short press to go to the previous track or long press to rewind back through a track. Press "PLAY" to start playback.
6. **PROGRAM:** Allows you to program only particular songs of your choice to playback from your music source, or other modes.
7. **F-10:** press to skip to the first track in the previous folder. If the Jukebox is in random ("RAN") mode, the folder skipping function will be disabled.
8. **RPT:** press to replay one particular song. Press once to repeat one song only, twice to repeat all songs and three times for repeated random play.
9. **SCAN:** press to auto-search and save FM Radio digital audio broadcasting stations.
10. **STEREO:** Stereo/Mono mode in FM Radio.
11. **ENTER:** confirm settings
12. **MENU/EJECT:** MENU - tune the FM radio or digital audio broadcasting stations, find and select relevant settings and MENU instructions. EJECT - press to close or open the CD tray.
13. **INFO:** Information display for files, FM radio or DAB that contain additional information.
14. **EQ:** switch between the preinstalled equalizer setting on to the Jukebox: Flat (FLA), Classical (CLA), Rock (ROC), Pop (POP), and Jazz (JAZ).
15. **F+10:** press to skip to the first track in the next folder. If the Jukebox is in random ("RAN") mode, the folder skipping function will be disabled.
16. **▶▶I:** forward, press to go to the next track or fast forward through a track. You can then press play to start playback.
17. **VOL +:** increase the volume, press the button repeatedly or press once and hold down until you reach the desired volume level.
18. **▶II:** press to play or pause a track.

REMOTE CONTROL DIAGRAM



PROGRAM:

- While playing back from a music source, press the **"STOP"** button.
- Press the **"PROG"** button to enter the program mode. The word **"PROG"** will flash in the bottom left corner of the display screen. A position number will also be flashing on the screen (e.g.: p01).
- Press the **"LEFT"** or **"RIGHT"** to select which track you want to program into position. When you have made your selection, press the **"PROG"** button to save it.
- You can then repeat the same steps to fill in more positions.
- When done, press **"PLAY"** to begin your music playback. Once tracks have been saved, you can play them anytime.
- At any stage during the programming process, you can press **"STOP"** to cancel.
- 'FUL'** will display on the LCD screen when the maximum number of tracks have been saved.

DIGITAL AUDIO BROADCASTING RECEPTION

FREQUENCY RANGE: DAB 174.928--239.200 MHZ

- Press **"STANDBY"** (No. 2 on the Jukebox parts list or No. 2 on the remote-control function list) to wake the Jukebox from standby mode. The unit will automatically enter into the digital audio broadcasting mode and start searching for nearby DAB signals.
- Auto-tuning
 - Option 1 - Press **"SCAN"** to auto-search and save. Press the **"AUTO"** button to perform an auto-search from 174.928MHz upwards. The first 40 stations found will be stored in memory (labelled as P01 to P40).
 - Option 2 - Auto Search Only: Press **"RIGHT"** or **"LEFT"** for about 3 seconds to search up or down the DAB frequency to find a station with strong reception. This auto-search function will not save the stations found automatically and it will not continue to search past the first radio station found.
- Press **"RIGHT"** or **"LEFT"** repeatedly. The DAB tuner will search up or down the DAB band by 0.05Mhz increments for each press.
- Press **"INFO"** to see information about the signal.
- Press the **"MENU"** button
 - Press once to show **"Scan Settings"** and press **"ENTER"** to confirm. Then press **"LEFT"** or **"RIGHT"** to select **"All stations"** or **"Strong Only"**, press **"ENTER"** to confirm.
 - Press twice to display „SW Version“. Press **"ENTER"** to confirm and see the Version number (such as "JSY 6136-DAB").
 - Press three times to display the language, press **"ENTER"** to confirm and then press **"LEFT"** or **"RIGHT"** to select **"English/German/French/Italian"**, Press **"ENTER"** to confirm.
 - Press four times to display Factory Reset, press **"LEFT"** or **"RIGHT"** to select "No or Yes" and press **"ENTER"** to confirm.

Note: (Refers to FM and DAB)

- The American version of "DAB" frequency, forward or backward, jumps 0.1 MHz.
- The European version of the "DAB frequency, forward or backward, jumps 0.05 MHz.
- Use the FM antenna on the back of the Jukebox.
- Stations with a weak signal can only be tuned in manually.
- A maximum of 40 stations can be stored. Only stations with strong signals will be saved automatically.

CD OPERATION

CDs should be placed on the tray with the label side up

- Press **"MODE"** until the LED display indicates **"Switching to CD"**, then the display will show the number of songs and start the playback.
- Press **▲ "OPEN/CLOSE"** on the control panel, or the **"EJECT"** button on the remote control to open the CD tray.
- Load the CD on the CD tray, with the label facing up and the shiny side facing down.
 - This unit has been designed specifically for sound reproduction from compact discs bearing the mark. No other discs can be used.
 - To remove a disc from its storage case, press down on the center of the case and lift the disc up, holding it carefully by the edge.

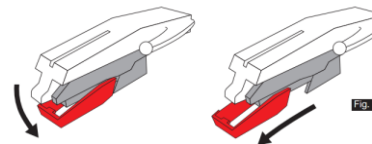


- Fingerprints and dust should be carefully wiped off the disc's recorded surface with a clean cloth (not included).
 - Never use chemicals such as record sprays, anti-static sprays or fluid, benzene or thinner to clean compact discs. Such chemicals will do irreparable damage to the disc's plastic surface.
 - Discs should be returned to their cases after use to avoid serious scratches that could cause the laser pick up to skip.
 - Do not expose discs to direct sunlight or high humidity and temperature for extended periods. Long exposure to high temperature can warp the disc.
 - Do not stick paper or write anything using a ballpoint pen on the surface of the label side. Do not use irregular shaped CD's (octagonal, heart-shape, etc.) as they can damage the unit.
- Press **▲ "OPEN/CLOSE"** on the control panel, or the **"EJECT"** button on the remote control again to close the CD tray.
 - Short press **"▶||"** play or pause a song.
 - Press **"◀◀"** or **"▶▶"** to select your desired song.
 - Press **"VOL+/-"** to control the sound level.
 - Press **"REP"** once to repeat one song. The REP indication at the top left corner of the LED display will flash. Press **"REP"** once more to repeat all songs and the REP indication at the top left corner of the LED display will appear. Press **"REP"** again to cancel the repeat function.
 - To play songs randomly, press **"RAN"** until the LED display shows **"RAN"** on the bottom of the display.
 - For programming, press **"STOP"** to stop playback. Press **"PROG"** to enter programming mode. The LED display will flash and indicate **"P01"**. Select the song that you want to program and then press **"PROG"** again. Press **"Play/Pause▶||"** to stop programming and start to playback the programmed songs. This unit can program up to 40 songs.

Note: Do not forcibly push the CD tray to close as this may cause a malfunction.

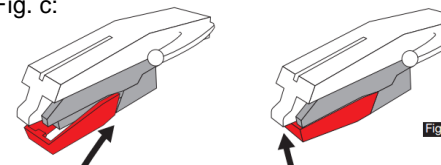
- Remove the stylus by pulling it straight down and out, in the opposite direction of the tonearm (see Fig. b).

Fig. b:



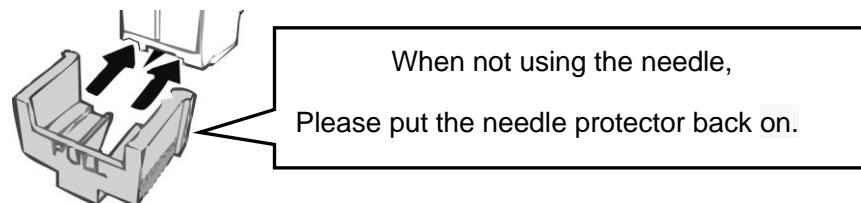
- Find a compatible replacement stylus. With the point facing down, align the new stylus and gently press it back into place (see Fig. c).

Fig. c:



Note: If purchasing the replacement stylus in a store, it is helpful to bring the old stylus with you for reference. Most electronic and music stores will have replacement styluses .

Note: Always ensure that the tone arm is secured by the arm lock before transporting the Jukebox. The tone arm will not return to the tone arm-rest.



Note: At the end of the record, the tone arm does not automatically return to the holder, but the turntable and tone arm will stop turning. (Please return to the bracket manually).

WARNING:

- Do not bend the stylus.
- To avoid injury, do not touch the needle.
- Keep out of reach of children.
- Handle with care as the stylus is delicate. Use of a bent or broken stylus may damage the record and cause malfunction.
- Do not expose the stylus to extreme heat.
- Contact a qualified technician if you are having difficulties changing the stylus.



(11) pick-up arm (tone arm)



(12) PLACING RECORD

Place records on the turntable,
Lift the pickup and place it lightly on the record,
to play the songs from the record.



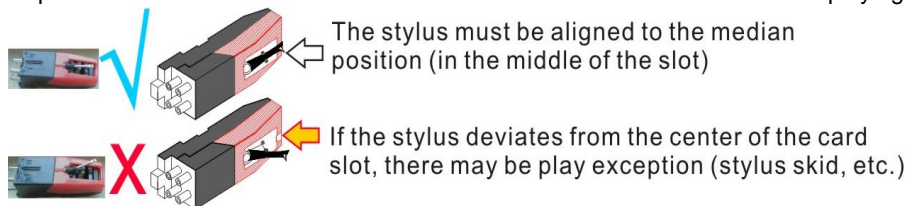
(13) PLASTIC NEEDLE GUARD.

Remove the stylus by pulling it straight down and
out, in the opposite direction of the tonearm.

Note: At the end of the record, the tone arm does not automatically return to the holder, but the turntable will stop turning.

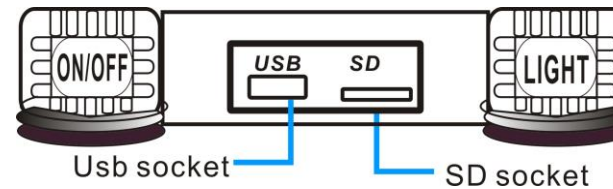
How to handle the stylus

- Press "**MODE**" (22) until the LED display indicates "**PH**", remove the protective cover from the stylus cartridge (see Fig. a), put the record into the player and select player speed 33/45/78. The needle will move to the record and the music will start playing.



- It is recommended that the stylus is replaced as soon as you notice a change in the sound quality.
- Prolonged use of a worn-out stylus may damage the record. Wear and tear on the stylus will be accelerated when playing 78 RPM records.

USB/SD OPERATION



- Press "**MODE**" until the LED display indicates "**USB**" or "**SD**". The display will then show the number of folders followed by the number of songs and start playback.
- Press "**PLAY/PAUSE**" to pause or continue playback.
- Press "**◀◀**" or "**▶▶**" or "**F+/-10**" to select your desired song.
- Press "**REP**" once to repeat one song. The REP indication at the top left corner of the LED display will flash. Press "**REP**" once more to repeat all songs and the REP indication at the top left corner of the LED display will appear. Press "**REP**" again to cancel the repeat function.
- To play songs randomly, press "**RAN**" until the LED display shows "**RAN**" on the bottom of the display. songs randomly, press "**RAN**" button until the led display "**RAN**" on the bottom of the display.
- For programming, press "**STOP**" to stop playback. Press "**PROG**" to enter programming mode. The led display will flash and indicate "P 01". Select the song that you want to program and then press "**PROG**" again. Press "**Play/Pause**" to stop programming and start to playback the programmed songs. This unit can program up to 20 songs.

Compatible USB devices or SD cards

- USB Flash Drive: supports USB2.0 or USB1.1.
- File System: FAT16/32 (NTFS file system is not supported).
- Maximum files: less than 999.
- External HDD, card readers and locked devices are not supported.

Note:

- A USB device must always be connected directly to the USB port of this product. The use of a USB extension cord is not supported. The USB port cannot communicate with a computer directly.
- The reading time for a USB/SD drive varies depending on the speed of the memory device and the number of songs and folders. In some cases, the reading time may be as long as 60 seconds.
- When the unit is off (or in standby mode) no USB/SD device should be connected.
- Always switch off the unit before removing a USB/SD flash drive to prevent damage to your USB/SD device. The manufacturer is not responsible for the loss or damage of data.
- Due to numerous methods of compression some files or USB/SD flash drives cannot be played.

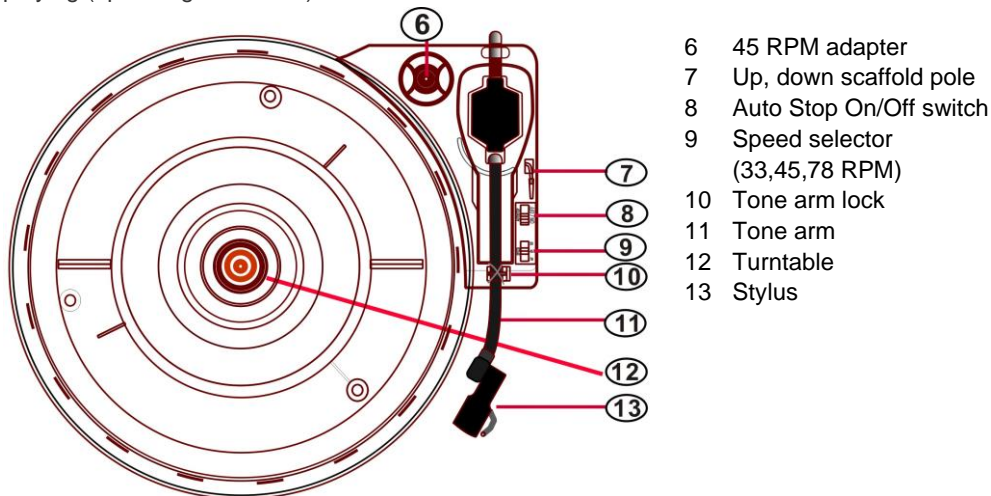
PAIRING WITH A BLUETOOTH DEVICE

1. Press "**MODE**" until the LCD display indicates "**BLUE**".
2. Turn on the Bluetooth device and let it automatically search for available Bluetooth devices.
3. From the Bluetooth device list, select the device named "Noxon Jukebox 1" and pair them.
4. Once the pairing is completed, the display will indicate "**CONNECTED**" and automatically start playback.
5. To start playing songs from your Bluetooth device, use the Bluetooth device, the control panel on the Jukebox itself or the remote control.
6. Press "**VOL+/-**" to control the sound level.
7. Press "**⏮**" or "**⏭**" to select the next or previous song.
8. Press "**PLAY/PAUSE**" to pause or continue playback.
9. To end the pairing, press "**MODE**" button to choose other functions or turn off the Bluetooth connection from the Bluetooth device.

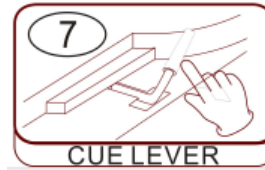
Note: Best distance of Bluetooth transmission: within 10 meters without any barriers. If the last connected device is within the Bluetooth® reception range of the Jukebox, you will not be able to pair a new device to the Jukebox. You will need to turn off the Bluetooth® connection on the last connected device in order to connect a new device.

PHONOGRAPH RECORD

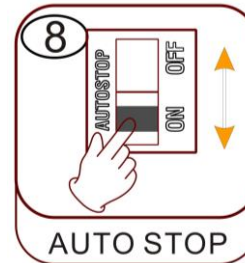
Press "**MODE**" (22) until the LED display indicates "**PH**". Put the phonograph record into the player and select player speed 33/45/78. The needle will move to the record above and start playing (operating as follows).



- (6) 45 RPM adapter: put the record onto the turntable; use the 45rpm adapter provided when playing a single record.

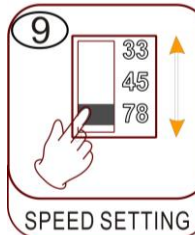


- (7) Up, down scaffold pole
- a. Lift the pick-up arm and the tone arm gently to the desired position over the record.
 - b. Slowly lower the pick-up arm.

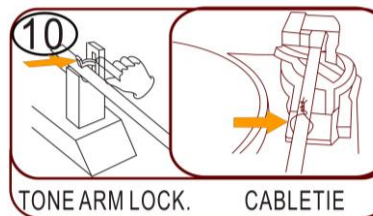


- (8) AUTO STOP
- a. OFF: The device will not stop running after the last track.
 - b. ON: The device will stop running after the last track.

NOTE: Please return the tone arm into its resting position.



- (9) SPEED SETTING
 Three speed gears are available: 33/45/78



- (10) TONE ARM LOCK
 Turn on the tone arm lock before using the phonograph.